



## Description

KNOT is a collection of stately pendent lights that appose two dramatically dissimilar materials. The design combines coarse natural fibre with smooth, transparent handblown glass to arouse a contrast as striking as it is dignified.



## Tech. description

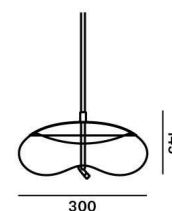
The light comprises a glass shade, glass diffuser, metal component with LED module, and linen rope and is suspended from the ceiling canopy with a special bracket. The bottom section of the light is engineered as SELV.

Colours options: [https://brokis.sharepoint.com/:b:/s/brokis\\_sp/ESBt-eSfOxJNm-XaKoNYvrwBkv35kyCKDVFJdHpyvS1Bcg](https://brokis.sharepoint.com/:b:/s/brokis_sp/ESBt-eSfOxJNm-XaKoNYvrwBkv35kyCKDVFJdHpyvS1Bcg)

## CONSTRUCTION SPECIFICATION

<b>Weight:</b>	3.5 kg
<b>Construction material:</b>	glass, metal, linen rope
<b>Cord length [mm]:</b>	Individual, max. 5,000 mm
<b>Mounting:</b>	Ceiling
<b>Environment:</b>	Indoor

## DIMENSIONS [mm]



## ELECTRICAL SPECIFICATION

<b>Input voltage [V]:</b>	100 - 240 V
<b>Frequency [Hz]:</b>	50-60 Hz
<b>Max. power [W]:</b>	10 W
<b>Coverage IP:</b>	20
<b>Socket:</b>	LED module
<b>Light source:</b>	-
<b>Energy class:</b>	A+

## CERTIFICATIONS





## CM6131

<b>Type</b>	LED module
<b>Lamp wattage [W]</b>	10 W
<b>Input voltage [V]</b>	24 VDC
<b>Energy class</b>	A+
<b>Flux [lm]</b>	1510 lm
<b>Light colour [K]</b>	2700 K
<b>CRI</b>	80+
<b>Lifespan [h]</b>	20000h
<b>Dimmable</b>	yes (PWM)

# DATASHEET

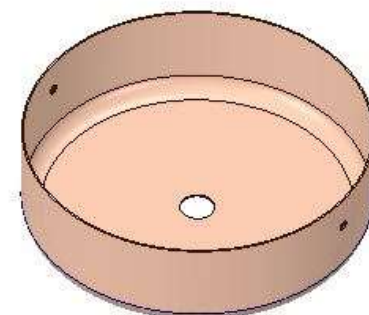
## RECOMENDED CANOPY



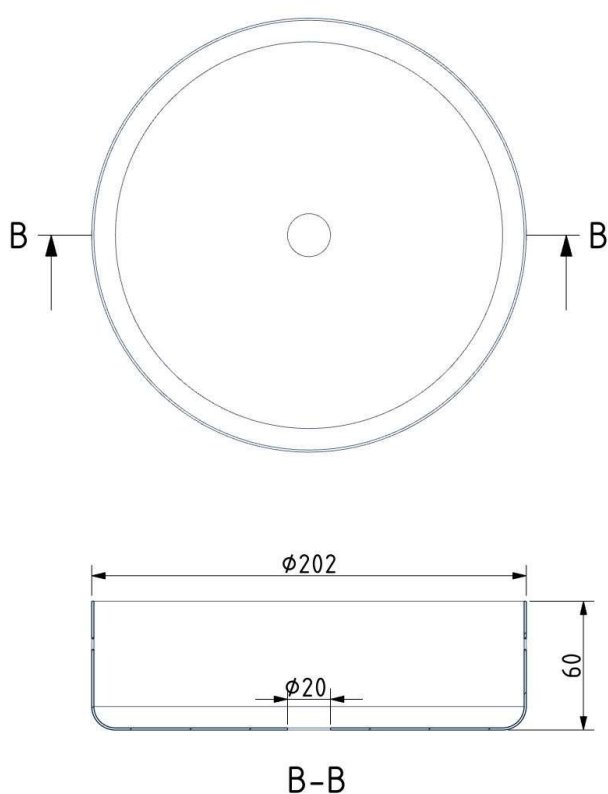
Download

### CEILING CANOPY

Dimensions O x w [mm]	202 x 60 mm
Weight [kg]	1.15 kg
Material	metal



### Drawing



### Canopy bracket

